

Application Note

Redundancy & Backup Solutions

- 2500 Series™ includes solutions for redundancy of
 - Power supplies (2512-A)
 - Remote base controllers (2500-RIO-A)
 - CPUs (2541)
- Examples follow



Product Spotlight

Redundancy & Backup Solutions – Remote Bases

Control Technology Inc
Introduction to CTI and the 2500 Series™ System



- Redundant RBC



- Redundant power



- Redundant power & redundant RBCs



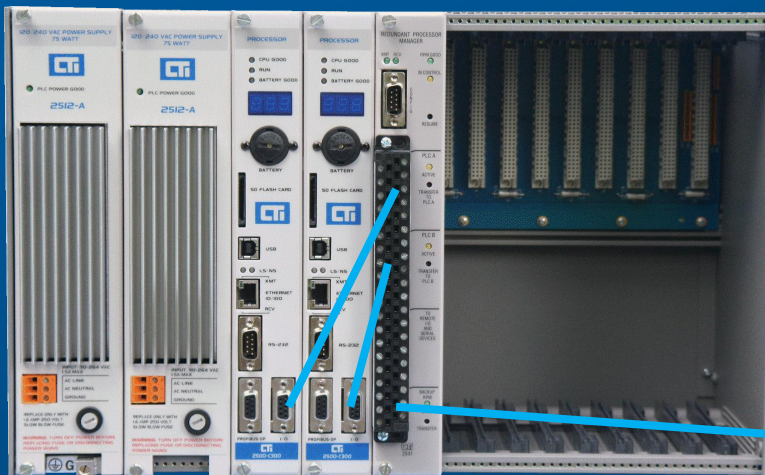
Product Spotlight

Redundancy & Backup Solutions – Processors

Control Technology Inc
Introduction to CTI and the 2500 Series™ System



- Redundant power with one CPU



- Redundant power & redundant CPUs using 2541 (note no local I/O is allowed)

To remote bases



Product Spotlight

Redundancy & Backup Solutions – Processors

Control Technology Inc
Introduction to CTI and the 2500 Series™ System



- Redundant power & redundant CPUs using 2541 and multiple bases



To remote bases

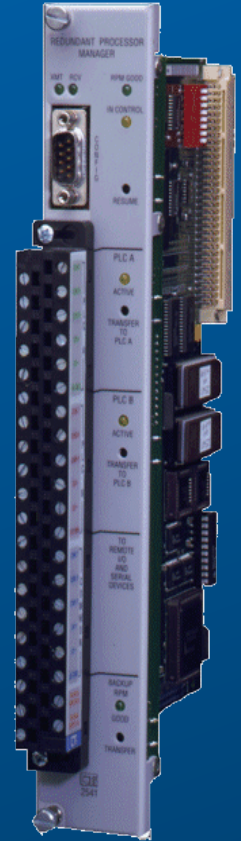


Product Spotlight

CPU Redundancy

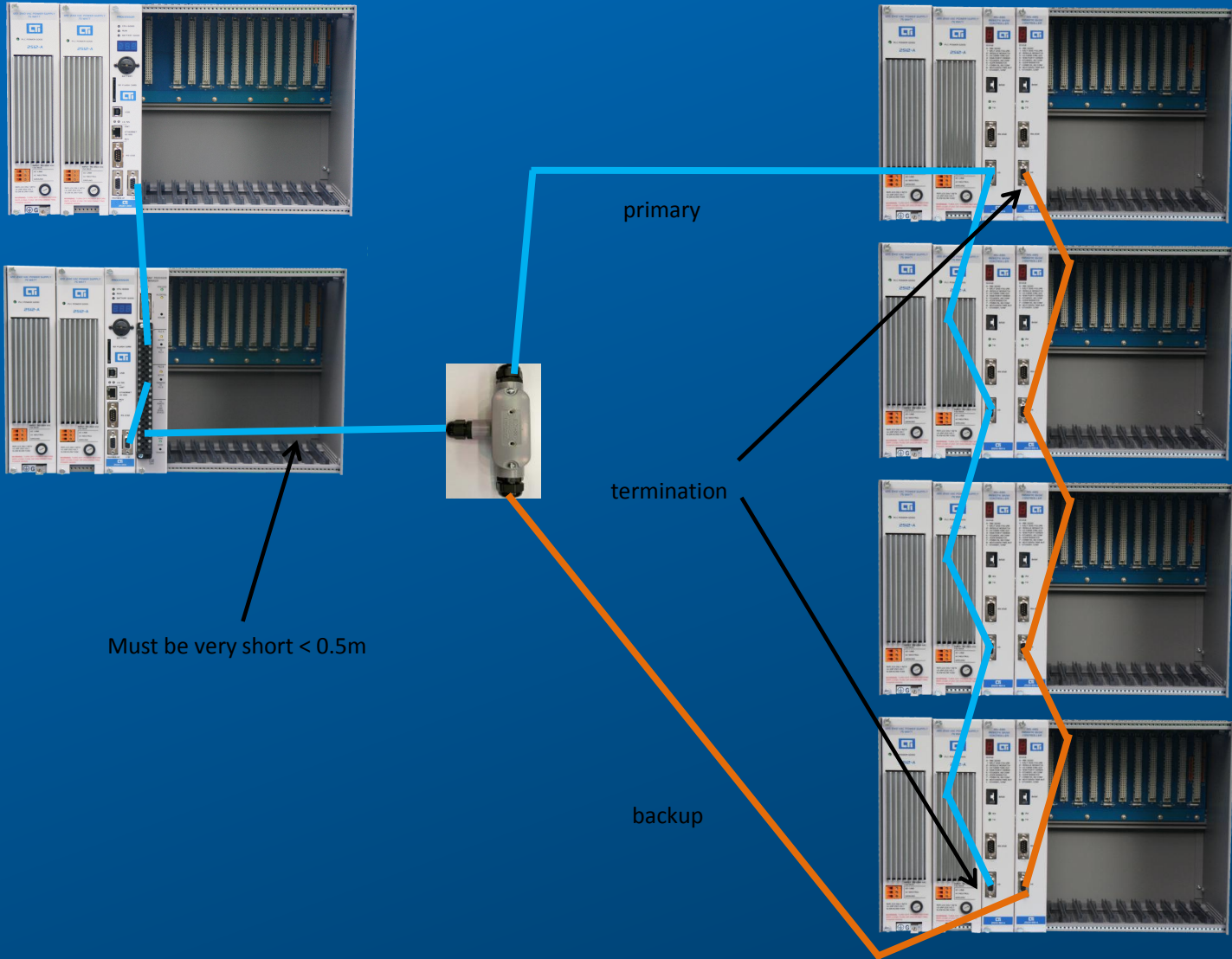
2541 Redundant Processor Manager

- Allow use of two 2500 Series™ CPUs in a redundant backup configuration
- I/O is connected to the control PLC using relay contacts
- Both PLCs see the inputs all the time
- 2541 monitors both PLCs and switches the I/O to the backup PLC in case of fault
- Critical data is written to the backup PLC
- No change in outputs when switching from primary to backup



Backup CPU with Redundant RBCs

Using independent cables to RBCs



Control Technology Inc
Introduction to CTI and the 2500 Series™ System

