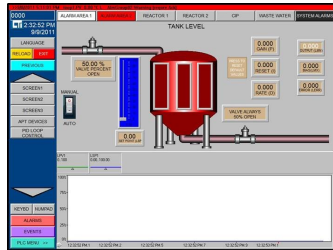
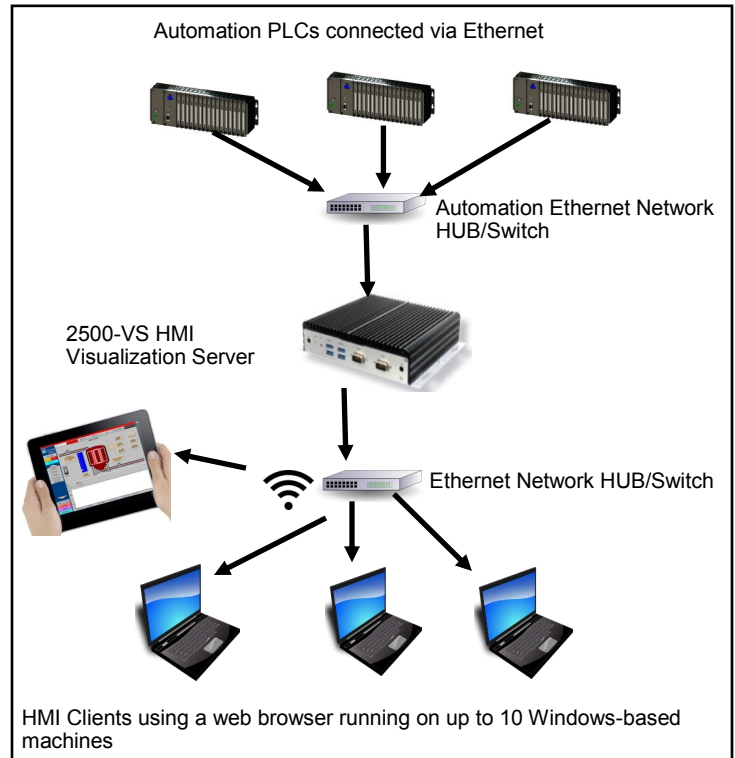


2500-VS HMI Visualization Web Server



HMI access with just a Web Browser on a Windows OS machine.



DESCRIPTION

The 2500-VS is a complete hardware and software platform providing online, remote access to HMI projects from virtually anywhere without having to install or license another zenon Runtime. Up to 10 clients can be connected by using a web browser to view and interact with the process visualization and control.

FEATURES

- Full Read/Write Process Control
- No Runtime licenses needed for each client
- Single point of maintenance
- Industrial-rated Windows 7 embedded PC
- 2 Ethernet ports
- Low power consumption
- No fans or moving media
- Supported Web Browsers include: IE, Safari, Firefox, and Chrome
- Clients can be any type of machine running Windows 7, 7e, and 8
- 2 Ethernet Ports keep the automation network isolated from the Office or HMI Network
- Different levels of Redundant Configurations can be supported

Optional Software Module

2500-Z-ETAS Extended Trend and Historian

Historian

- Simple graphical user interface
- Free group definition of process variables
- Cyclical recording
- Stop and Start archive at will (even Triggered)
- Data export to XML, ASCII or dBase

Extended Trend

- Read back historical and online data
- Up to 8 curves
- Scrolling in the trend
- Several Y- axes in parallel
- Trend Analysis

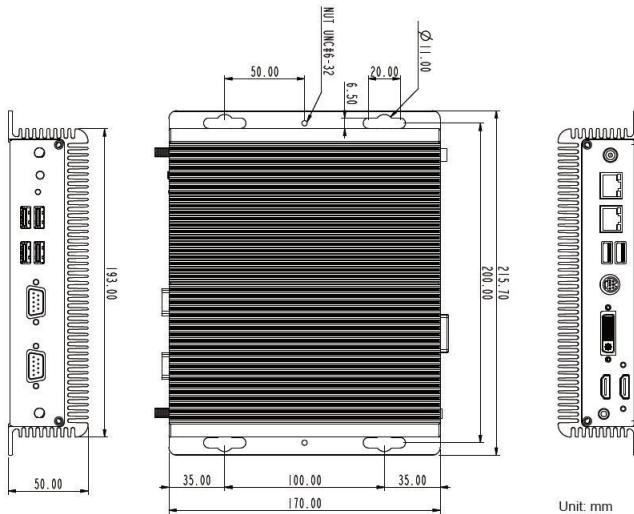


2500-VS Product Offering	
2500-VS	Fanless Box PC w/2.1 GHz processor
2500-VS1K-3C	HMI Server, 1K Tags, 3+1 Clients
2500-VS1K-5C	HMI Server, 1K Tags, 5+1 Clients
2500-VS1K-10C	HMI Server, 1K Tags, 10+1 Clients
2500-VS2K-3C	HMI Server, 2K Tags, 3+1 Clients
2500-VS2K-5C	HMI Server, 2K Tags, 5+1 Clients
2500-VS2K-10C	HMI Server, 2K Tags, 10+1 Clients
2500-Z-ETAS	Extended Trend and Historian

2500-VS Accessories	
2500-VS-PS	100 - 240V 65W AC/DC adapter kit
2500-VS-CBL	6-foot power cable for 24VDC input*

* One 6-foot power cable is included with all 2500-VS units

2500-VS Extended Warranty (applies to all versions of the 2500-VS)	
2500-VS-EXW1	1-yr Extended Hardware Warranty (36 months total warranty)
2500-VS-EXW2	2-yr Extended Hardware Warranty (48 months total warranty)
2500-VS-EXW3	3-yr Extended Hardware Warranty (60 months total warranty)



2500-VS	
Dimensions H x W x D in mm	170 x 215.70 x 50
Dimensions H x W x D in inches	6.7 x 8.5 x 1.97
Shipping Weight	4 lbs (1.8kG)
Housing Construction	Extruded aluminum and steel

Specifications	
CPU	Soldered onboard AMD R-260H 2.1 GHz processor
Memory	1 x 204-pin DDR3 SO-DIMM socket, supporting 1333MHz SDRAM up to 8GB
Chipset	AMD A70M
Graphics	Integrated AMD Radeon HD 7500G
ATA	1 x Serial ATA port with 600MB/s HDD transfer rate
LAN Chipset	2 x Realtek 8111 GbE controllers
Watchdog Timer	1—255 levels reset

I/O	
Serial Port	2 x DB-9 male connectors for RS-232
USB Port	4 x USB 3.0 ports 2 x USB 2.0 ports
LAN	2 x RJ-45 ports for GbE
Video Port	2 x HDMI female connectors for Digital Video Output 1 x DVI-D female connector for Digital Video Output 1 x 7 pin Mini-Din connector for A/V input (combining S-Video, Composite and Audio)
Audio	1 x Line-out (500mW pre-amplified)
Expansion port	1 x Mini-card slot interconnected with SIM card socket for optional WiFi or HSUPA module
SSD	64G SSD

Power Requirements	
Power Input	16 to 24VDC
Power Consumption	Max. 40W(without I/O Card)
Power Management	RTC wakeup timer selectable

Environmental	
Operating Temp.	-20 ~ 50°C (-4 ~ 122°F) ambient w/ air flow
Storage Temp.	-40 ~ 80°C (-40 ~ 176°F)
Operating Humidity	10 ~ 95% @ 50°C (non-condensing)
Vibration	3 Grms/5~500Hz/random operation
Shock	Operating 40G (11ms)Non-operating 80G with SSD
Certifications	CE, FCC Class A

