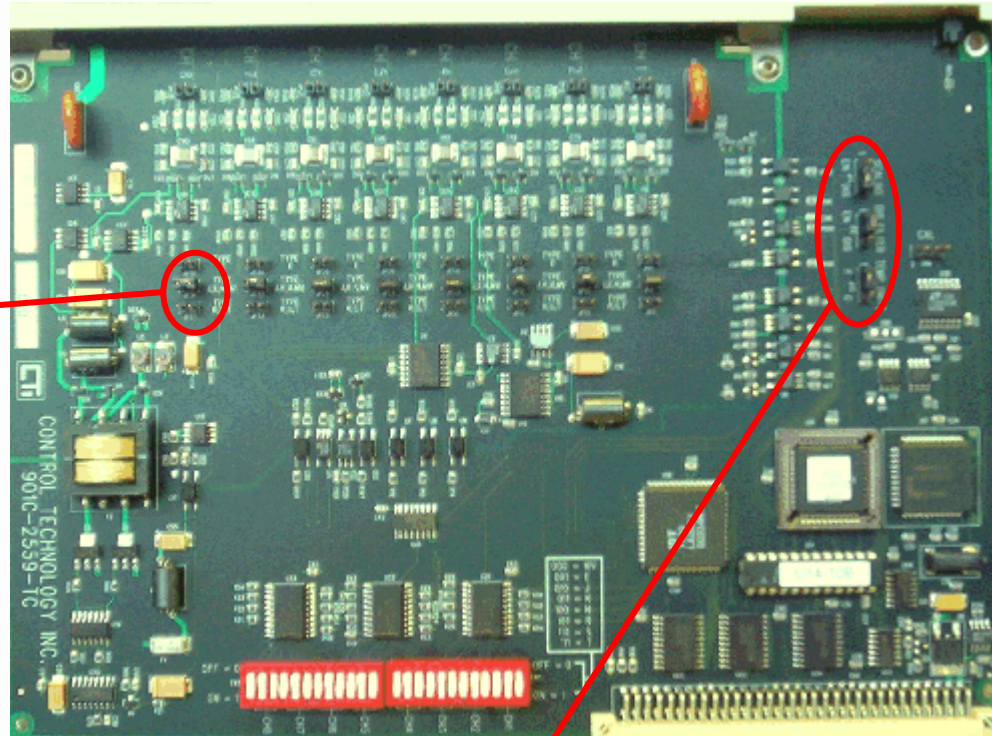




Configuration: 2559-TC Thermocouple Module

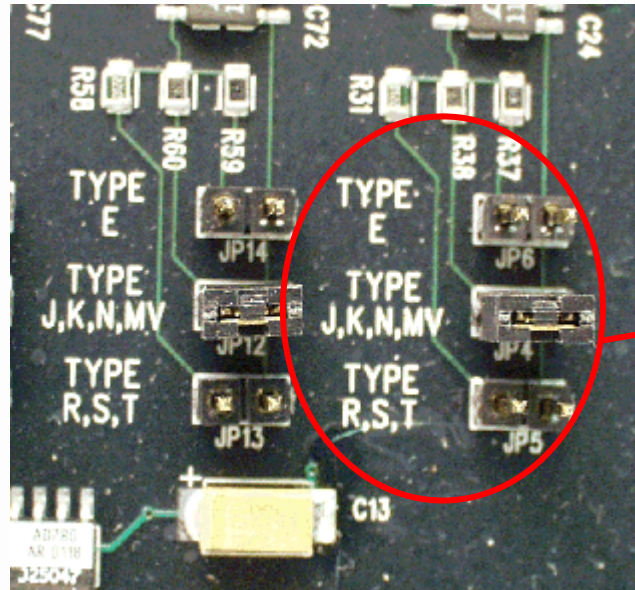
1. Select thermocouple type for each channel



2. Select digital filtering, scaling, and temperature units for the module



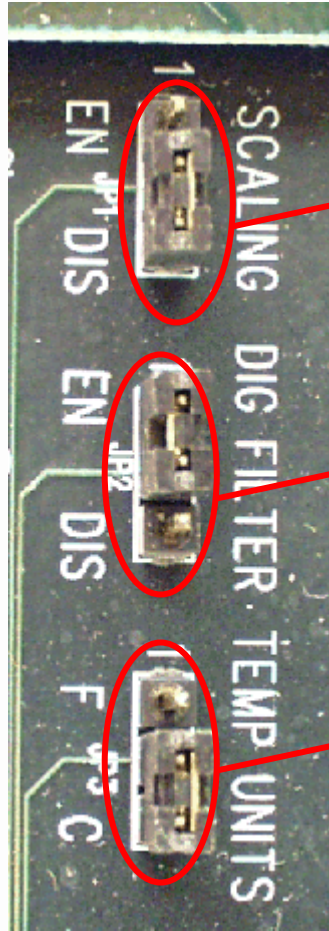
Configuration: 2559-TC Thermocouple Module



Select thermocouple type for each channel



Configuration: 2559-TC Thermocouple Module



Select scaling for the module

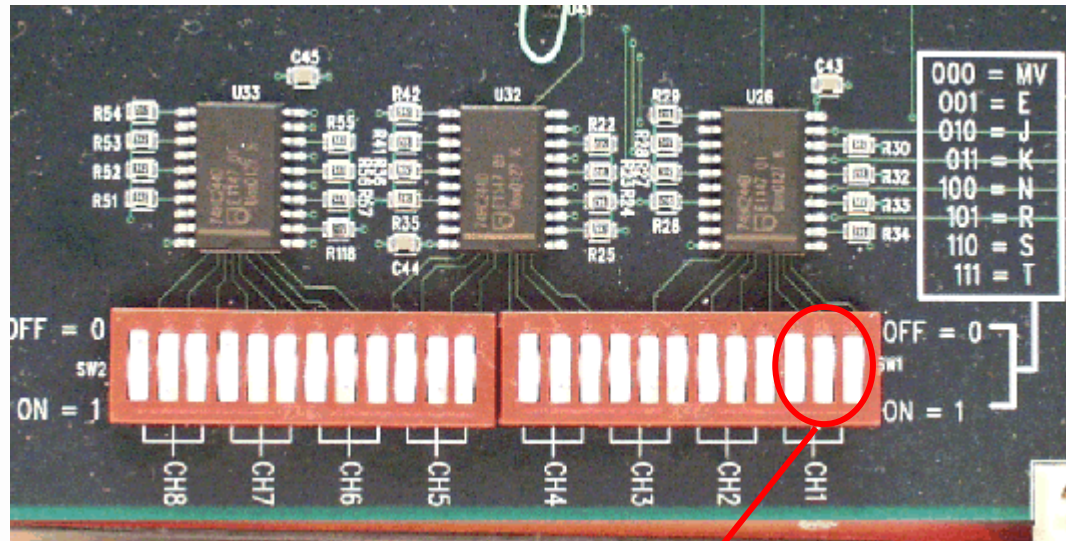
Select digital filtering for the module

Select C or F units for the module

Note: These settings affect all channels



Configuration: 2559-TC Thermocouple Module



Configure DIP switches to match thermocouple settings on each channel

000 = mV

001 = type E

010 = type J

011 = type K

100 = type N

101 = type R

110 = type S

111 = type T