

Application Note



2500 Series® Programmable Automation Control System

Building a Redundant System using the 2541 Redundant Processor Manager and 2500P- ACP1 Application Coprocessor

2500 Series® Systems from CTI can be configured with several levels of redundancy, depending on the needs of your application:

- Power Supply Redundancy
- Remote Base Controller Redundancy
- CPU Redundancy

Power Supply Redundancy

Power Supply redundancy is achieved using the 2500-R11-A Eleven Slot Redundant Base and two 2512-A power supplies. This configuration can be used with either a CPU or a Remote Base Controller as shown in the Figure below.

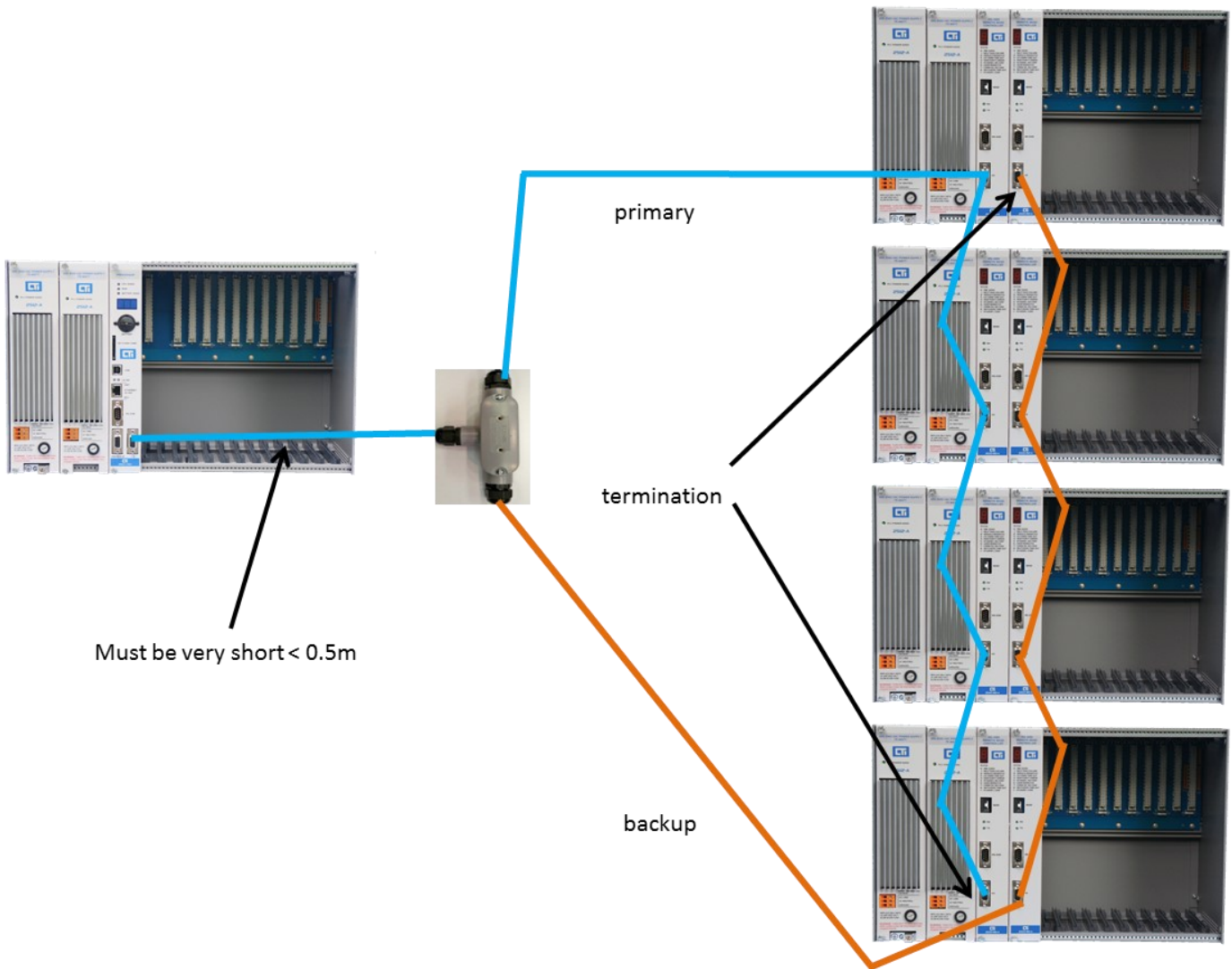




Power supply redundancy for CPU and RBC

Remote Base Controller Redundancy

When used for a remote base, the 2500-R11-A base also permits the installation of a second RBC (2500-RIO-B only) which can provide redundancy in remote I/O cabling as well as the RBC. The figure below illustrates an arrangement with redundant cabling and redundant RBCs.



CPU Redundancy

For systems which cannot tolerate any downtime due to a Processor (CPU) failure, the 2500 Series® System supports the use of redundant CPUs in an “active / standby” arrangement. Processor health is monitored by the 2541 Redundant Processor Manager, which also provides for switching the remote I/O from the active to the standby Processor in the event of a failure. The 2541 is capable of mirroring all the process inputs to the standby PLC, and includes a mechanism for transferring data from active to standby PLC. An alternate arrangement can use a 2500P-ACP1 Application Coprocessor connected to each CPU to provide the data synchronization. This method has the advantage that it doesn't require any additional PLC programming to accomplish the data transfer. It also can reduce the PLC scan time, since each 2541 “virtual base” added to the system increases the scan time by up to 20msec.

The remainder of this Application Note describes the process of configuring a Redundant Processor System using 2541 and 2500P-ACP1. There is example code for the PLC and ACP1 which can be downloaded from the CTI website.

- 1. Determine the Overall System Layout.** In this step, the overall layout of the redundant CPU system is determined, and IP address assignments are made. There are several options available:
 - Option 1: Each CPU in a separate base. This option uses either 2500P-R4 or 2500-R11-A bases (depending on whether redundant power supplies are desired). Each base includes a power supply (two for the R11-A), CPU, and 2500P-ACP1 module. One base also includes the 2541. This is the recommended configuration because it completely isolates the two CPUs.
 - Option 2: CPUs in the same base. This option, supported only by the 2500-R11-A, uses a single base which contains all the components: two 2512-A, two CPUs, two 2500P-ACP1s, and the 2541. The disadvantage of this option is that a failed CPU cannot be replaced without a planned shutdown of the system.
 - 2. Identifying critical data.** Redundancy using the 2541 is called “warm backup” because the active and standby processors are “free-running” and the scans are not synchronized. Both CPUs see all the process inputs; however, we must provide a way to synchronize other process parameters (like loop setpoints, recipe inputs, or other HMI / SCADA inputs) from the active to the backup PLC. Here are typical items to review in identifying critical data:
 - Timers / Counters – may need to transfer TCC
 - Drums – may need to transfer DSC
 - Loops – may need to transfer loop setpoints, bias, V-flags, C-flags
 - Alarms - may need to transfer alarm V-flags, C-flags, and acknowledgement flags
 - Any items which are set by HMI / SCADA
 - 3. Configuring the RPM.** The RPM has numerous configuration options for controlling how the module operates. These options include:
 - Failsafe switchover - which PLC becomes active if the 2541 fails
 - Switchover conditions - I/O Update, Heartbeat, PLC Fatal Error, Checksum Match, PLC Logic Request, Pushbutton Request
 - Timeout values
 - Virtual Base Configuration, including Home Base
 - Background V-Memory Transfer
- A complete description of these setup options can be found in the [2541 Installation and Operation Guide](#).
- 4. Configuring the ACP1.** In this step we will configure the two ACP1 units to read/write data from their individual PLCs and transfer between PLCs. We will also write a program in the ACP1 to control the direction of data transfer, depending on which PLC is in control.



LAD Network 3 Address 60																	
TIME DRIVEN DRUM																	
C1024 (1)	DRM:	2	Y	Y	Y	Y	Y	Y	Y	Y	Y	Y	C3				
	PRESET:	1	1	1	1	2	2	2	2	2	2	2	3	3			
	SEC/CNT:	1.0	7	8	9	0	1	2	3	4	5	6	7	8	9	0	1
	STEP/CNT:																
C3 (3)	1	1	1	1	1	1	1	1	1	1	1	1	1	1	1	1	1
	2	1	1	1	1	1	1	1	0	0	0	0	0	0	0	0	0
	3	1	1	1	1	0	0	0	0	1	1	1	1	0	0	0	0
	4	1	1	1	1	0	0	0	1	1	1	0	0	0	1	1	1
	5	1	1	1	0	0	1	1	0	0	1	1	0	0	1	1	0
	6	1	1	0	1	0	1	0	1	0	1	0	1	0	1	0	1
	7	1	0	0	0	0	0	0	0	0	0	0	0	0	0	0	0
	8	1	1	1	1	1	1	1	1	1	1	1	1	1	1	1	1
	9	1	0	0	0	0	0	0	0	0	0	0	1	1	1	1	0
	10	1	0	0	0	0	0	0	0	1	1	1	0	0	0	0	0
	11	1	0	0	0	0	0	0	1	1	1	1	0	0	0	0	0
	12	1	0	0	0	0	1	1	1	1	0	0	0	0	0	0	0
	13	1	0	0	1	1	1	1	0	0	0	0	0	0	0	0	0
	14	1	1	1	1	1	0	0	0	0	0	0	0	0	0	0	0
	15	1	0	0	0	0	0	0	0	0	0	0	0	0	1	1	1
	16	1	0	0	0	0	0	0	0	0	0	0	0	0	0	0	0

LAD Network 4 Address 114													
C1025 (1)	SFPGM	1											C11
	IN-LINE:	NO											

PROGRAM END

```

SFP1
Program Title: INC
Continue On Error: Yes
Error Status Address: None
Program Type: Cyclic
Cycle Time (secs): 1
Enable Program: Yes
Compiled: Yes

```

00001	IMATH	V1002 := V1002 + 1	
00002	FOR	COUNTER: V1001	
		INITIAL VALUE: 0	
		INCREMENT: 1	
		CONDITION: V1001 < 11	
00003	IMATH	V5000 (V1001) := V1002	
00004	NEXT		

PROGRAM END

The PLC program includes documentation comments for the 2541 “home base” status variables and control bits. This data can be displayed using the chart template included.

2541 Configuration

For this example, the 2541 is configured as follows:

Normal Startup PLC - PLC A



Event Log - Wrap Around Events

Time Out Values:

I/O Update - 50ms

RBC Offline Declaration - 50ms

V Memory Transfers (disabled)

Starting V Memory Location - 100

Number of V Locations - 0

Transfer Options:

I/O Update - Enable

Heartbeat - Disable

PLC Fatal Error - Enable

Checksum Match - Disable

PLC Logic Request - Enable

Push Button Request - Enable

Base Configuration:

Base 1 - Real Base

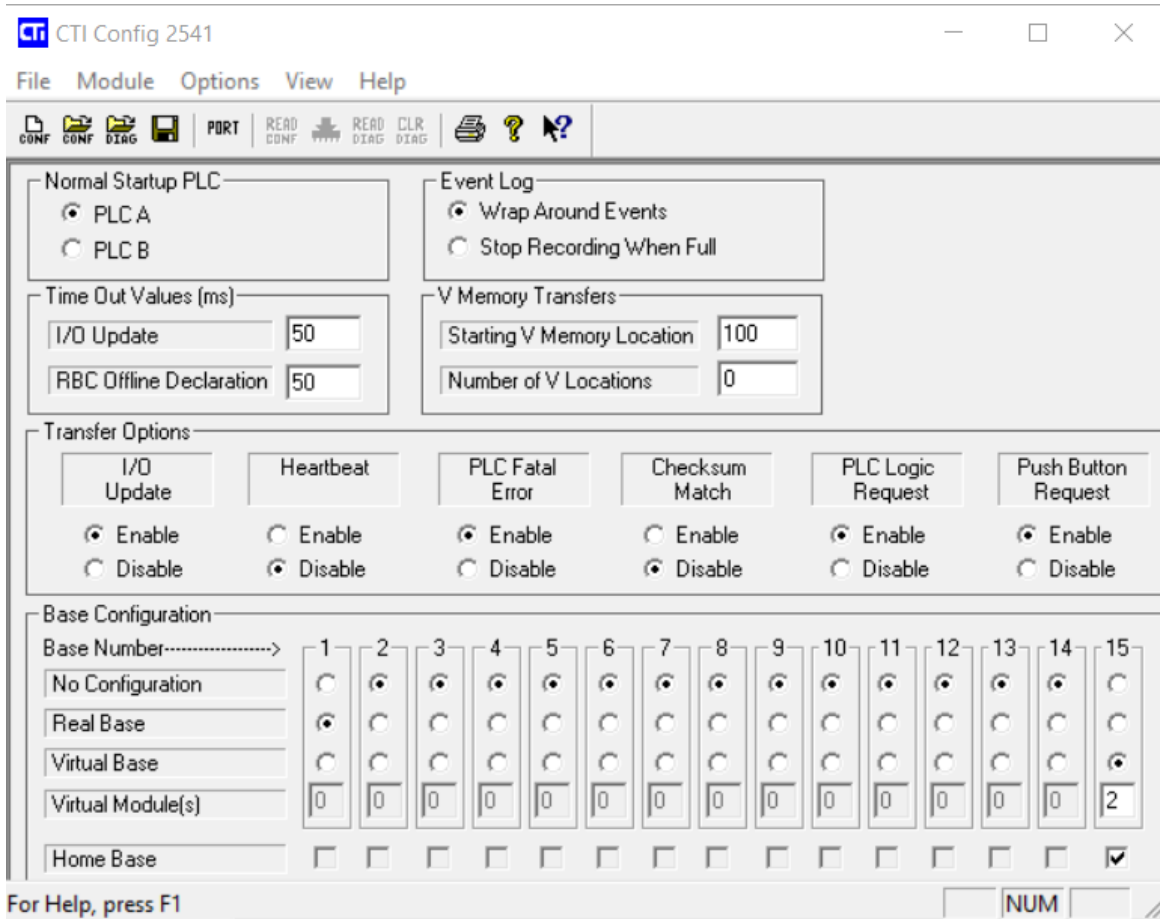
Base 2-14 - No Configuration

Base 15 - 2 Virtual Modules, Home Base

The 2541 “home base” includes 32X in slot 1 and 32Y in slot 2. These inputs and outputs contain the status and control bits for the RPM as shown in the table below:

X33	PLC_A HAS CONTROL	ON D1
X34	PLC_B HAS CONTROL	OFF D1
X35	THIS PLC IS ACTIVE (1=YES)	OFF D1
X36	PLCA STATUS (1=OPERATIONAL)	ON D1
X37	PLC_B STATUS (1=OPERATIONAL)	ON D1
X38	CHECKSUM COMPARE (1=MATCH)	ON D1
X39	reserved	OFF D1
X40	reserved	OFF D1
X41	reserved	OFF D1
X42	NON-CRITICAL DATA TRANSFER COMPLETED	ON D1
X43	NON-CRITICAL DATA TRANSFER COMPLETED	OFF D1
X44	RPM HAS CONTROL	ON D1
X45	reserved	OFF D1
X46	RPM MODULE GOOD	ON D1
X47	reserved	OFF D1
X48	reserved	OFF D1
X49	I/O MONITOR (1=ENABLED)	ON D1
X50	HEARTBEAT MONITOR (1=ENABLED)	OFF D1
X51	PLC FATAL ERROR (1=ENABLED)	ON D1
X52	PLC LOGIC TRANSFER (1=ENABLED)	ON D1
X53	PLC PROGRAM CHECKSUM MATCH (1=ENABLED)	OFF D1
X54	FRONT PANEL PUSHBUTTON TRANSFER (1=ENABLED)	ON D1
X55	SWITCHOVER ENABLED	ON D1
Y65	REQUEST SWITCHOVER TO PLC_A	OFF D1
Y66	REQUEST SWITCHOVER TO PLC_B	OFF D1
Y67	HEARTBEAT BIT	OFF D1
Y68	SWITCHOVER INHIBIT	OFF D1





A copy of the 2541.CFG is included in the ZIP file for the example.

ACPI Program

The ACPI program consists of the following parts:

Variables - each ACPI includes “local” and “remote” variables for DSC1, DSC2, and the COUNTER. The local variables are the values from the PLC that the ACPI is attached to. The remote variables are the values from the other PLC. In addition, the ACPI reads all the RPM status bits into variables.

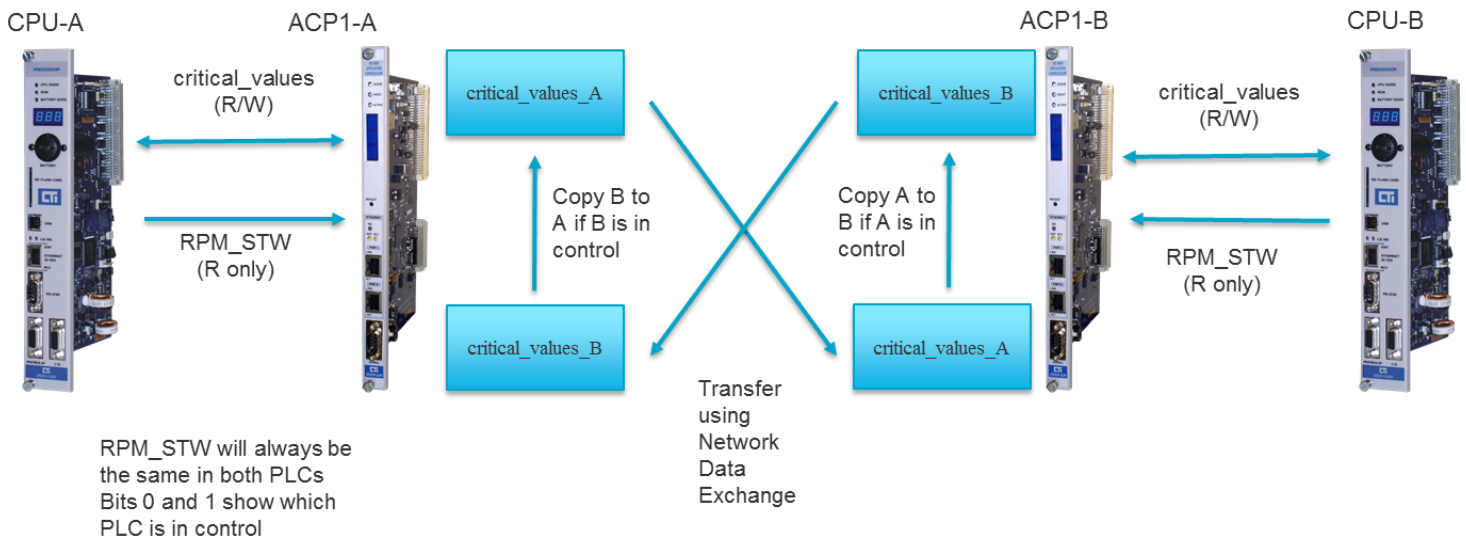
Fieldbus configuration - is used in each ACPI to read/write DSC1, DSC2, COUNTER, and read the RPM status variables.

Global binding configuration - is used to transfer the DSC1, DSC2, and COUNTER variables between ACPI modules.

Copy_Critical_Values - program written in structured text which conditionally copies the “remote” values into the “local” values if this PLC/ACPI is in the “standby” mode.



Operation of the ACP1 programs is shown below:



The Boolean variable THIS_PLC_IS_ACTIVE (read from X35 in each PLC) is used as the condition for copying remote data. Data is copied when this value is FALSE, meaning the other PLC is in control. Since the other PLC is in control, we want its data to be the master for synchronization. For the example, we've also added a SYNCHRONIZE variable to allow the critical data synchronization to be turned off if desired. To disable the synchronization, set the SYNCHRONIZE variable to FALSE in either ACP1. This value is transferred between the ACP1s using Global Binding.

Variable List:

Global variables					
PLC_A_HAS_CONTROL	TRUE	BOOL			<input type="checkbox"/>
PLC_B_HAS_CONTROL	FALSE	BOOL			<input type="checkbox"/>
THIS_PLC_IS_ACTIVE	TRUE	BOOL			<input type="checkbox"/>
PLC_A_STATUS	TRUE	BOOL			<input type="checkbox"/>
PLC_B_STATUS	TRUE	BOOL			<input type="checkbox"/>
CHECKSUM_COMPARE	TRUE	BOOL			<input type="checkbox"/>
NONCRITICAL_DATA_TRANS...	TRUE	BOOL			<input type="checkbox"/>
NONCRITICAL_DATA_TRANS...	FALSE	BOOL			<input type="checkbox"/>
RPM_HAS_CONTROL	TRUE	BOOL			<input type="checkbox"/>
RPM_MODULE_GOOD	TRUE	BOOL			<input type="checkbox"/>
IO_MONITOR_ENABLED	TRUE	BOOL			<input type="checkbox"/>
HEARTBEAT_MONITOR_ENA...	FALSE	BOOL			<input type="checkbox"/>
PLC_LOGIC_TRANSFER_EN...	TRUE	BOOL			<input type="checkbox"/>
PLC_PROGRAM_CHECKSUM...	FALSE	BOOL			<input type="checkbox"/>
FRONT_PANEL_PUSHBUTTO...	TRUE	BOOL			<input type="checkbox"/>
SWITCHOVER_ENABLED	TRUE	BOOL			<input type="checkbox"/>
PLC_FATAL_ERROR_ENABL...	TRUE	BOOL			<input type="checkbox"/>
dsc1_local	11	INT			<input type="checkbox"/>
dsc1_remote	11	INT			<input type="checkbox"/>
dsc2_local	11	INT			<input type="checkbox"/>
dsc2_remote	11	INT			<input type="checkbox"/>
synchronize	TRUE	BOOL		TRUE	<input type="checkbox"/>
counter_local	446	INT			<input type="checkbox"/>
counter_remote	446	INT			<input type="checkbox"/>



Fieldbus Configuration:

- CTI 2500 Data Cache
 - CTI 2500 IP = '172.18.9.141'
 - Discrete I/O (XY) [BOOL] (33)
 - PLC_A_HAS_CONTROL
 - PLC_B_HAS_CONTROL
 - THIS_PLC_IS_ACTIVE
 - PLC_A_STATUS
 - PLC_B_STATUS
 - CHECKSUM_COMPARE
 - NONCRITICAL_DATA_TRANSFER_COMPLETE1
 - NONCRITICAL_DATA_TRANSFER_COMPLETE2
 - RPM_HAS_CONTROL
 - RPM_MODULE_GOOD
 - IO_MONITOR_ENABLED
 - HEARTBEAT_MONITOR_ENABLED
 - PLC_FATAL_ERROR_ENABLED
 - PLC_LOGIC_TRANSFER_ENABLED
 - PLC_PROGRAM_CHECKSUM_ENABLED
 - FRONT_PANEL_PUSHBUTTON_ENABLED
 - SWITCHOVER_ENABLED
 - Drum Step Current (DSC) [INT] (1)
 - dsc1_local
 - Drum Step Current (DSC) [INT] (2)
 - dsc2_local
 - V Memory (V) [INT] (1002)
 - counter_local

Symbol	Offset
PLC_A_HAS_CONTROL	0
PLC_B_HAS_CONTROL	1
THIS_PLC_IS_ACTIVE	2
PLC_A_STATUS	3
PLC_B_STATUS	4
CHECKSUM_COMPARE	5
NONCRITICAL_DATA_TRANSFER_COMPL...	9
NONCRITICAL_DATA_TRANSFER_COMPL...	10
RPM_HAS_CONTROL	11
RPM_MODULE_GOOD	13
IO_MONITOR_ENABLED	16
HEARTBEAT_MONITOR_ENABLED	17
PLC_FATAL_ERROR_ENABLED	18
PLC_LOGIC_TRANSFER_ENABLED	19
PLC_PROGRAM_CHECKSUM_ENABLED	20
FRONT_PANEL_PUSHBUTTON_ENABLED	21
SWITCHOVER_ENABLED	22



Global Binding Configuration:

Global Binding Editor - ACP1_A		
	ACP1_A	ACP1_B
ACCP1_A [172.18.9.152:9000]		
Connection Status		
▷ 11:dsc1_local		dsc1_remote
▷ 12:dsc2_local		dsc2_remote
▷ 13:counter_local		counter_remote
▷ 14:synchronize		synchronize
ACCP1_B [172.18.9.153:9000]		
Connection Status		
▷ 11:dsc1_local	dsc1_remote	
▷ 12:dsc2_local	dsc2_remote	
▷ 13:counter_local	counter_remote	
▷ 14:synchronize	synchronize	

copy_critical_values Structured Text Program:

```
1 // If this PLC is not active (THIS_PLC_ACTIVE=0) and the SYNCHRONIZE switch is on, then
2 // we want to copy all the "remote" variables into the "local" variables
3 if THIS_PLC_IS_ACTIVE=0 and synchronize=1 then
4     dsc1_local:=dsc1_remote;
5     dsc2_local:=dsc2_remote;
6     counter_local:=counter_remote;
7 END_IF;
8
```

EXAMPLE PROJECT FILE

The example project file 2541_ACP1.zip can be downloaded from the CTI web site here:

http://www.controltechnology.com/Files/Products/2500-Classic/2541/other/2541_ACP1

It contains the following files:

This application note	pdf
2451_ACP1_Projects.zip	Workbench Workspace backup
PLC_A.FSS	Workshop file for PLC_A
PLC_B.FSS	Workshop file for PLC_B
PLC_A_DATA.wdt	Workshop data template for PLC_A
PLC_B_DATA.wdt	Workshop data template for PLC_B
2541.CFG	Configuration file for 2541

Copyright© 2016 Control Technology Inc.
All Rights Reserved

21DEC2016



Control Technology Inc.

5734 Middlebrook Pike, Knoxville, TN 37921-5962
Phone: +1.865.584.0440 Fax: +1.865.584.5720
www.controltechnology.com

ROCK SOLID PERFORMANCE. TIMELESS COMPATIBILITY.