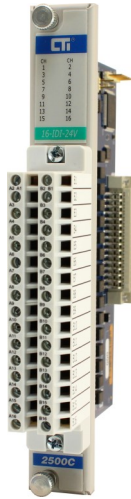




2500C-16-IDI-24V Discrete Input Module



DESCRIPTION

The 2500C-16-IDI-24V Module accepts a wide range of voltage signals. It is designed to accept both AC and DC voltage allowing the user to pick and choose ranges on a single module. Motor centers, optical sensors, limit switches and utility control are excellent examples of applications for this product

FEATURES

- Single wide module
- 16 Isolated channel to channel inputs
- Supports AC or DC voltage inputs
- Sourcing or sinking Inputs
- Channel On/Off Status Indication
- Uses CTI's 2500C-32F Connector

Input Specifications	
Inputs per module	16
Module Logon	16X
Signal Range	10 to 30VAC/VDC
Input current	VAC 1.4 - 9.3mA VDC 2.9 - 9.3mA
Operating Characteristics for Typical Input	
AC Voltage Input	Turn ON Time: 3.7mS Turn OFF Time: 15.0mS
DC Voltage Input	Turn ON Time: 3.14mS Turn OFF Time: 13.7mS

Module Size	Single wide module
Connector	2500C-32F
Backplane Power (MAX)	0.067 watts No inputs ON 1.188 All inputs ON
Input ESD Protection	IEC 1000-4-2 LEVEL 4
Isolation	1500 VDC Channel to Backplane 1000 VDC Channel to Channel
Shipping Dimensions and Weight	223.84mm x 109.86mm x 34.93mm, 0.234kg
Operating Temperature Range	0°C to 60°C (32°F to 140°F)
Storage Temperature Range	-40°C to 85°C (-40°F to 185°F)
Relative Humidity	5% to 95% (non-condensing)
Agency Approvals Pending	UL, ULC, UL Class 1, Div 2, CE

2500-16-IDI-24V Default Shipment Settings

Operation Mode	NA
Logon	16X
Signal Range	10 - 30 VAC\VDC



Control Technology Inc.

5734 Middlebrook Pike, Knoxville, TN 37921-5914
Phone: +1.865.584.0440 Fax: +1.865.584.5720
www.controltechnology.com





2500C-16-IDI-24V Discrete Input Module

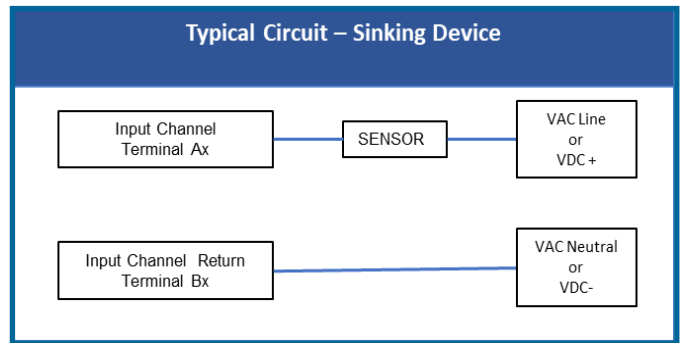
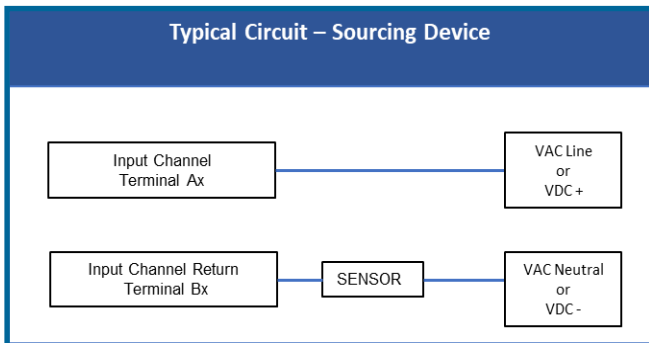
Channel	Voltage	Terminal	Terminal	Terminal	Channel
Channel 1	24V	A1	A1	B1	Channel 1
Channel 2	24V	A2	A2	B2	Channel 2
Channel 3	24V	A3	A3	B3	Channel 3
Channel 4	24V	A4	A4	B4	Channel 4
Channel 5	24V	A5	A5	B5	Channel 5
Channel 6	24V	A6	A6	B6	Channel 6
Channel 7	24V	A7	A7	B7	Channel 7
Channel 8	24V	A8	A8	B8	Channel 8
Channel 9	24V	A9	A9	B9	Channel 9
Channel 10	24V	A10	A10	B10	Channel 10
Channel 11	24V	A11	A11	B11	Channel 11
Channel 12	24V	A12	A12	B12	Channel 12
Channel 13	24V	A13	A13	B13	Channel 13
Channel 14	24V	A14	A14	B14	Channel 14
Channel 15	24V	A15	A15	B15	Channel 15
Channel 16	24V	A16	A16	B16	Channel 16

2500C-16-IDI-24V Wiring Connector

Note:

The 2500C-16-IDI-24V Discrete Input Modules use CTI Wiring Connector 2500C-32F. Please see the wiring connector specification table below. This connector is ordered separately from the module.

2500C-32F Specifications	
Connector Style	Removable
Number of Wiring Connections	32 point
Wire Gauge	14 to 22AWG
Screw Torque Value	5.22 lb-in
Current Rating	6A @ 300VAC
Insulation Stripping Length	0.24" 6mm
Connector Material	
Body:	Polycarbonate UL 94V0
Screw :	M3 Zinc plated Steel
Cage Clamp	Nickel Plated Brass
Socket Contact Spring:	Tin Plated Bronze
Retaining Screw:	M3 Zinc Plated Steel



Control Technology Inc.

5734 Middlebrook Pike, Knoxville, TN 37921-5914
 Phone: +1.865.584.0440 Fax: +1.865.584.5720
www.controltechnology.com

