

2560-A 8-Channel Isolated Analog Output Module

Classic



Specifications

Output Channels: 8 isolated
Response Time: 2 mSec total module

Output Range:

Unipolar: 0 to +5.12 VDC

0 to +10.24 VDC

0 to 20 mA

Bipolar: -5.12 to +5.12 VDC

-10.24 to +10.24 VDC

-20 to +20 mA

Resolution: 12 bits

0-20 mA range = 5 μ A/step

0-5 VDC range = 1.25 mV/step

0-10 VDC range = 2.5 mV/step

-5 to +5 VDC range = 2.5 mV/step

-10 to +10 VDC range = 5.0 mV/step

-20 to +20 mA range = 10 μ A/step

Isolation: 1500 VDC channel-to-channel 1500 VDC channel-to-PLC

Capacitance Drive: 0.01 microfarads

Load Resistance:

Voltage: 1K Ω minimum, no maximum Current: 0 Ω to

1K Ω max. @ 24 VDC or up to 2000 Ω max. with an

external 10V power supply present in circuit **Voltage**

Accuracy:

0.1% of full scale from 0° to 60°C over total load range

Current Accuracy:

0.5% of full scale from 0° to 60°C over total load range

User Supply:

20 to 28 VDC @ 0.5 Amps (maximum ripple of 0.4 V) NOTE: Maximum load resistance for current

output drops to 600 Ω @ 20 VDC user supply

Connector: Removable CTI Part# 2500-40F

Wire Gauge: 14 to 22 AWG

Backplane Power: 1.7 Watts

Module Size: Single-wide

Agency Approvals : UL, UL for Canada, FM (Class 1, Div 2), CE

Shipping Weight: 1.5 lbs. (0.68 Kg)

Description

The 2560-A is a high-speed 8-channel isolated analog output module designed to be compatible with the CTI 2500 Series and Simatic® 505 I/O base. The 2560-A translates a digital word from the controller into equivalent analog outputs.

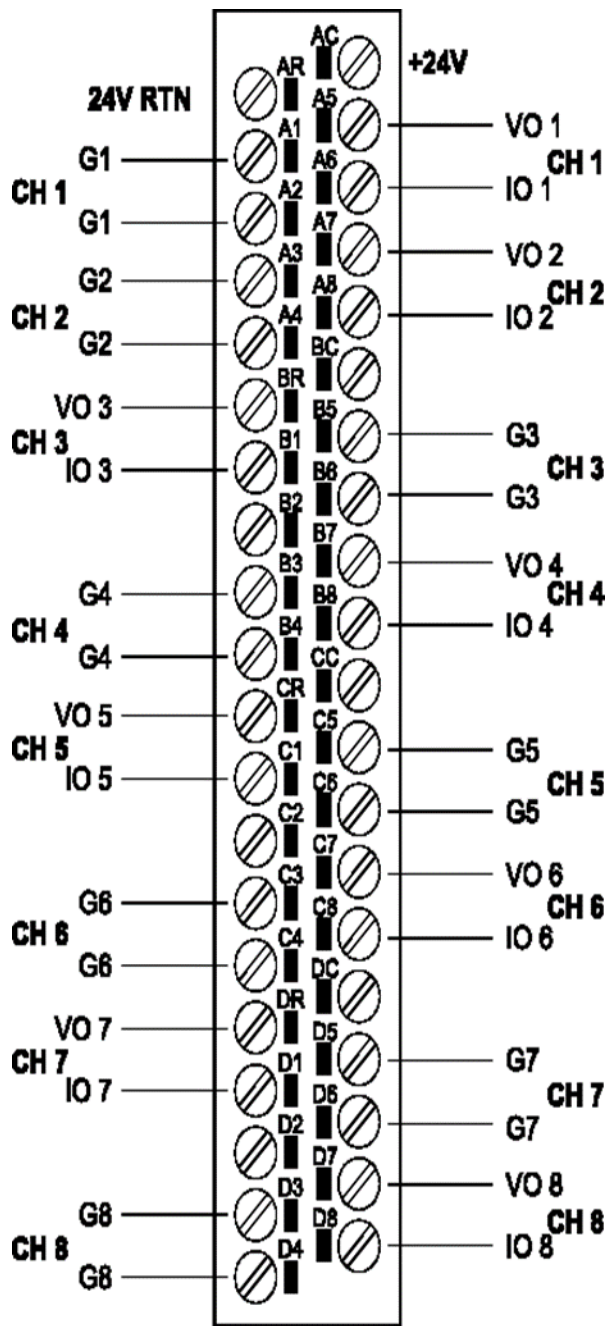
Features

- 1500V channel-to-channel isolation
- 1500V channel-to-PLC backplane isolation
- Fast 0.25 mSec update time per channel
- Voltage and current outputs available simultaneously
- Bipolar or Unipolar outputs per channel
- Individual D/A converter for each output channel

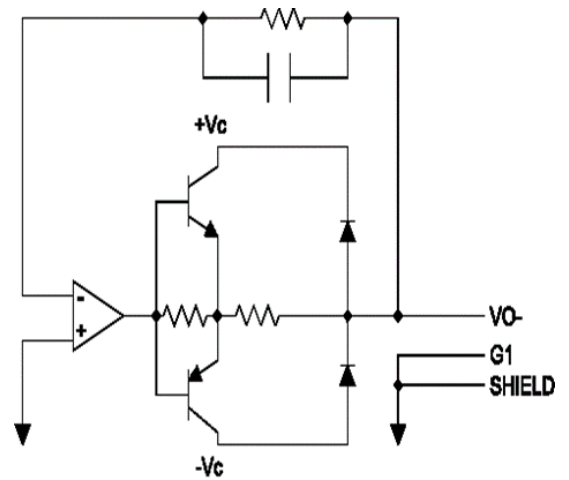
Note: This module requires Wiring Connector. Model #2500-40F.



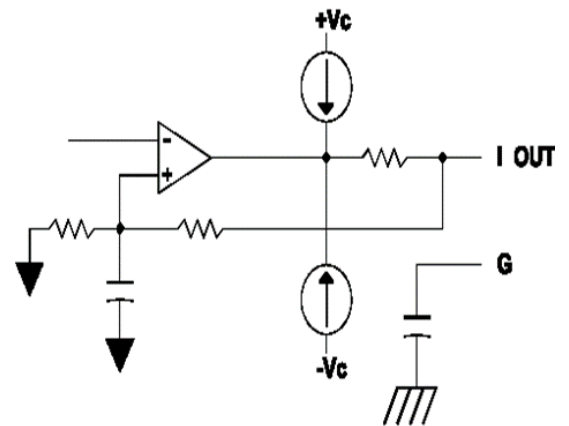
2560-A 8-Channel Isolated Analog Output Module



2560-A Connector



Typical Internal Circuit - Voltage Mode



Typical Internal Circuit - Current Mode

NOTE: The front connector on the module contains a G terminal which may be used for the shield wire if the installation is in a noise free environment. If the installation is in an extremely noisy environment CTI strongly recommends that the shield wires be terminated to the PLC chassis ground.