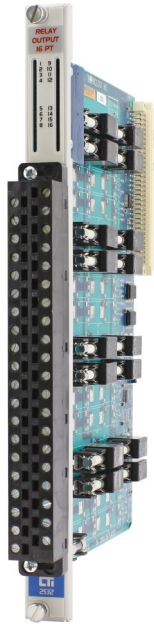


2532 16-Point Form-A Relay Output Module



Description

The 2532 16-Point Form A Relay Output Module provides sixteen Form A outputs isolated in groups of four for the CTI 2500 Series® or the SIMATIC® 505 I/O base. The module utilizes relay output circuits to switch ON or OFF external devices such as pilot lamps, motor starters, or solenoids. The 2532 is designed to switch externally supplied 15 to 240 VAC and 15 to 30 VDC. The internal logic signals are isolated from the external outputs to 2100 VDC.

Features

- CTI 2500 Series® base format
- 16 Form A relay outputs
- Replaces Siemens® 505-4916 with no rewiring
- Isolated 3000 VDC group-to-group
- Isolation in groups of 4
- Wide 15-240 VAC and 15-30 VDC output range
- 4.0 Amps per output
- Individually fused outputs
- Single-wide module

Specifications

Outputs per module: 16

Isolation: 2100 VDC channel-to-backplane
3000 VDC group-to-group

Output voltage: 15 - 240 VAC, 15 - 30 VDC

Indicators: 16 individual LEDs

Maximum output current:

4A per point (resistive)

8A per group (resistive)

Switching rate:

5 ops/sec (no load),

0.5 ops/sec (rated load)

Type of contact: Form A

Type of outputs: Individually fused

Minimum contact load: 10mA @ 5 VDC

Contact life:

@ full rated current, 4A = 400,000 cycles

@ 2A = 1,000,000 cycles

Backplane Power: 1.7 Watts

User Power Supply: 24VDC \pm 10% 300 mA (all outputs ON)

⚠ Fuses: FUSES: Field Replaceable

Channel: 16 - 5 Amp, 250V

Littelfuse P/N: 217.001 or Schurter P/N: 034.1516

User Power Supply Fuse: 1 - 1 Amp, 250V

Littelfuse P/N: 215.005 or Schurter P/N: 0001.2511

Connector: 2500-40F sold separately

Wire Gauge: 14 - 22 AWG

Module Size: Single-wide

Shipping Weight: 1.5 lb. (0.68 Kg)

Additional Product Information:

On CTI's Website you will find links to the 2500 Series Std Environmental Specifications and the UL Agency Certificates of Compliance .

ROCK SOLID PERFORMANCE. TIMELESS COMPATIBILITY.



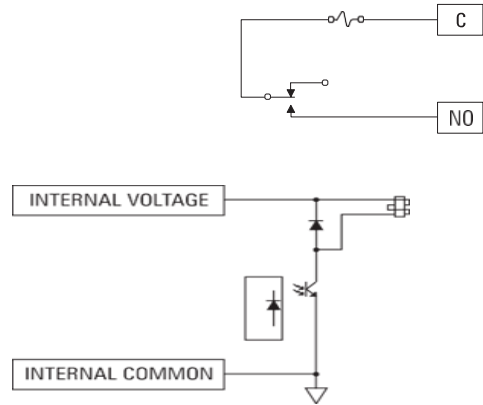
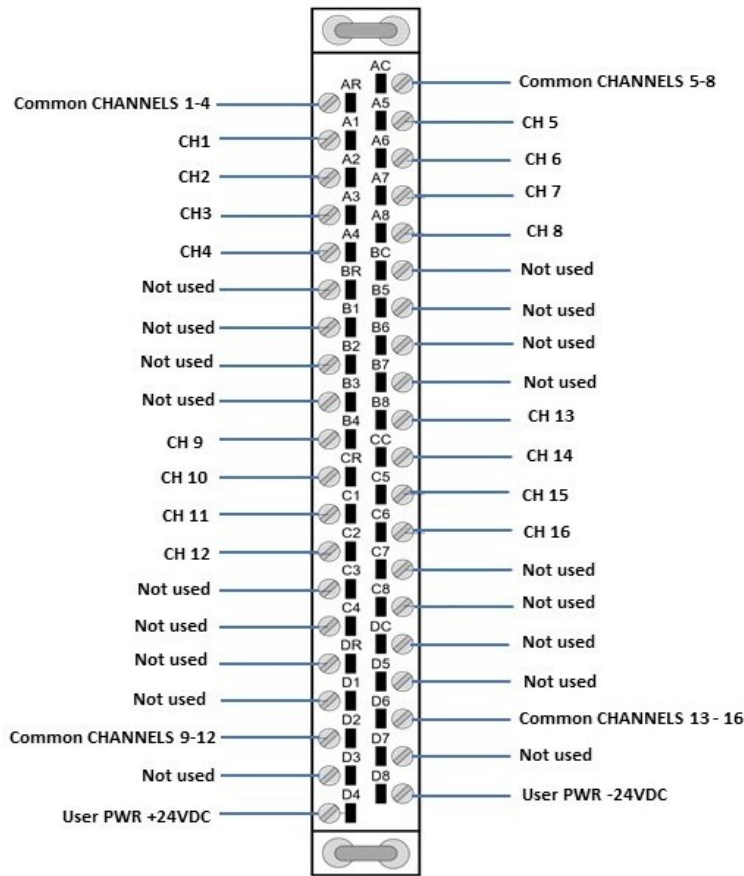
Control Technology Inc.

5734 Middlebrook Pike, Knoxville, TN 37921-5962

Phone: +1.865.584.0440 Fax: +1.865.584.5720

www.controltechnology.com

2532 16-Point Form-A Relay Output Module



Typical Internal Circuit

WARNING:
The module must not be inserted into the I/O rack while rack power is applied.



CAUTION – Non-Hazardous Areas/Hazardous Areas

<p>WARNING – EXPLOSION HAZARD. DO NOT REMOVE OR REPLACE WHILE CIRCUIT IS LIVE UNLESS THE AREA IS FREE OF IGNITIBLE CONCENTRATIONS.</p>	<p>AVERTISSEMENT – RISQUE D'EXPLOSION. NE PAS RETIRER NI REMPLACER PENDANT QUE LE CIRCUIT EST SOUS TENSION À MOINS QUE L'EMPLACEMENT NE SOIT EXEMPT DE CONCENTRATIONS INFLAMMABLES.</p>
<p>WARNING – EXPLOSION HAZARD. DO NOT REMOVE OR REPLACE FUSE WHEN ENERGIZED.</p>	<p>AVERTISSEMENT – RISQUE D'EXPLOSION. NE PAS RETIRER NI REMPLACER UN FUSIBLE SI L'APPAREILLAGE EST SOUS TENSION.</p>

Turn off power to the system before replacing fuses either in power supplies or IO modules. Refer to Product Bulletin or Installation and Operation Guide for specific information on the correct fuse for replacement. If there are any questions please contact CTI support. Fuses should only be replaced by qualified technicians.

ROCK SOLID PERFORMANCE. TIMELESS COMPATIBILITY.