



2500C-16-DI-24V Discrete Input Module



DESCRIPTION

The 2500C-16-DI-24V Module accepts a wide range of voltage signals. It is designed to accept both AC and DC voltage allowing the user to pick and choose ranges on a single module. Motor centers, optical sensors, limit switches and utility control are excellent examples of applications for this product

FEATURES

- Single wide module
- 16 Channels Isolated in groups of 8 inputs
- Supports AC or DC voltage inputs
- Sourcing or sinking Inputs
- Channel On/Off Status Indication
- Uses CTI's 2500C-32F Connector

Input Specifications	
Inputs per module	16
Module Logon	16X
Signal Range	10 to 30VAC/VDC
Input current	VAC 1.4 - 9.3mA VDC 2.9 - 9.3mA
Operating Characteristics for Typical Input	
AC Voltage Input	Turn ON Time: 3.7mS Turn OFF Time: 15.0mS
DC Voltage Input	Turn ON Time: 3.14mS Turn OFF Time: 13.7mS

Module Size	Single wide module
Connector	2500C-32F
Backplane Power (MAX)	0.067 watts No inputs ON 1.188 All inputs ON
Input ESD Protection	IEC 1000-4-2 LEVEL 4
Isolation Isolated in groups of 8	1500 VDC Channel to Backplane 1000 VDC Group to Group
Shipping Dimensions and Weight	223.84mm x 109.86mm x 34.93mm, 0.234kg
Operating Temperature Range	0°C to 60°C (32°F to 140°F)
Storage Temperature Range	-40°C to 85°C (-40°F to 185°F)
Relative Humidity	5% to 95% (non-condensing)
Agency Approvals Pending	UL, ULC, UL Class 1, Div 2, CE

2500-16-DI-24V Default Shipment Settings

Operation Mode	NA
Logon	16X
Signal Range	10 - 30 VAC\VDC



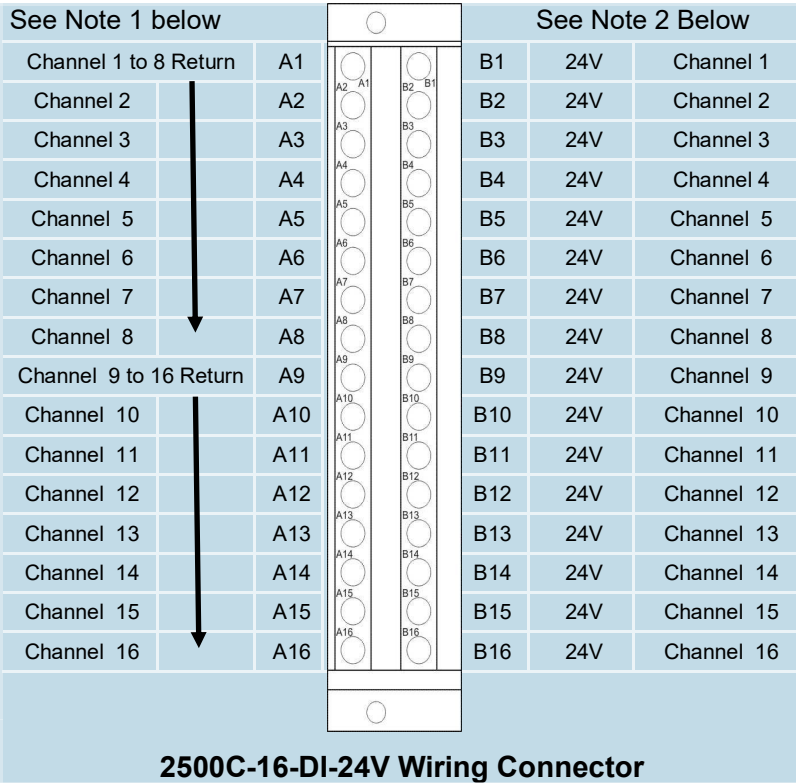
Control Technology Inc.

5734 Middlebrook Pike, Knoxville, TN 37921-5914
Phone: +1.865.584.0440 Fax: +1.865.584.5720
www.controltechnology.com





2500C-16-DI-24V Discrete Input Module

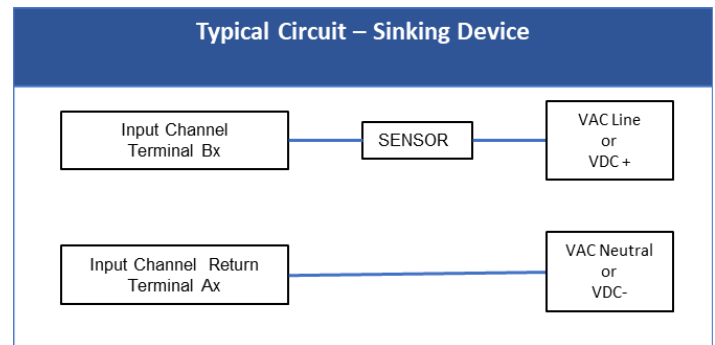
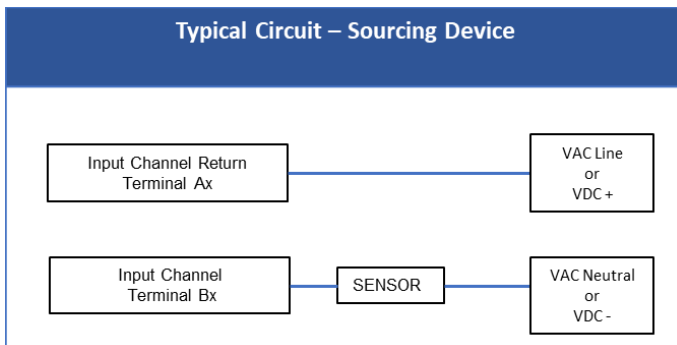


Note:
The 2500C-16-DI-24V Discrete Input Modules use CTI Wiring Connector 2500C-32F. Please see the wiring connector specification table below. This connector is ordered separately from the module.

2500C-32F Specifications	
Connector Style	Removable
Number of Wiring Connections	32 point
Wire Gauge Use Copper Conductors Only	14 to 22AWG
Screw Torque Value	5.22 lb-in
Current Rating	6A @ 300VAC
Insulation Stripping Length	0.24" 6mm
Connector Material	
Body:	Polycarbonate UL 94V0
Screw :	M3 Zinc plated Steel
Cage Clamp	Nickel Plated Brass
Socket Contact Spring:	Tin Plated Bronze
Retaining Screw:	M3 Zinc Plated Steel

Note 1: The 2500C-16-DI-24V is divided into two groups of 8 channels. Group A consists of Channels 1 thru 8 and Group B consists of Channels 9 thru 16. The input signal return for Group A can be connected at one channel, such as Channel 1 Return connection A1, or on all 1 thru 8 channels. Group B input signal return can be connected to one channel, such as Channel 9 Return connection A9, or to all 9 thru 16 channels. On the module's printed circuit board the channels for each group's return signal are tied together. This allows for a flexible wiring configuration.

Note 2: The 24V input is divided into 2 groups consisting of Group A for Channels 1 thru 8 and Group B for Channels 9 thru 16. Each Input Channel requires the 24V connection but the Return for each group only needs to be connected once.



Control Technology Inc.

5734 Middlebrook Pike, Knoxville, TN 37921-5914
 Phone: +1.865.584.0440 Fax: +1.865.584.5720
www.controltechnology.com

